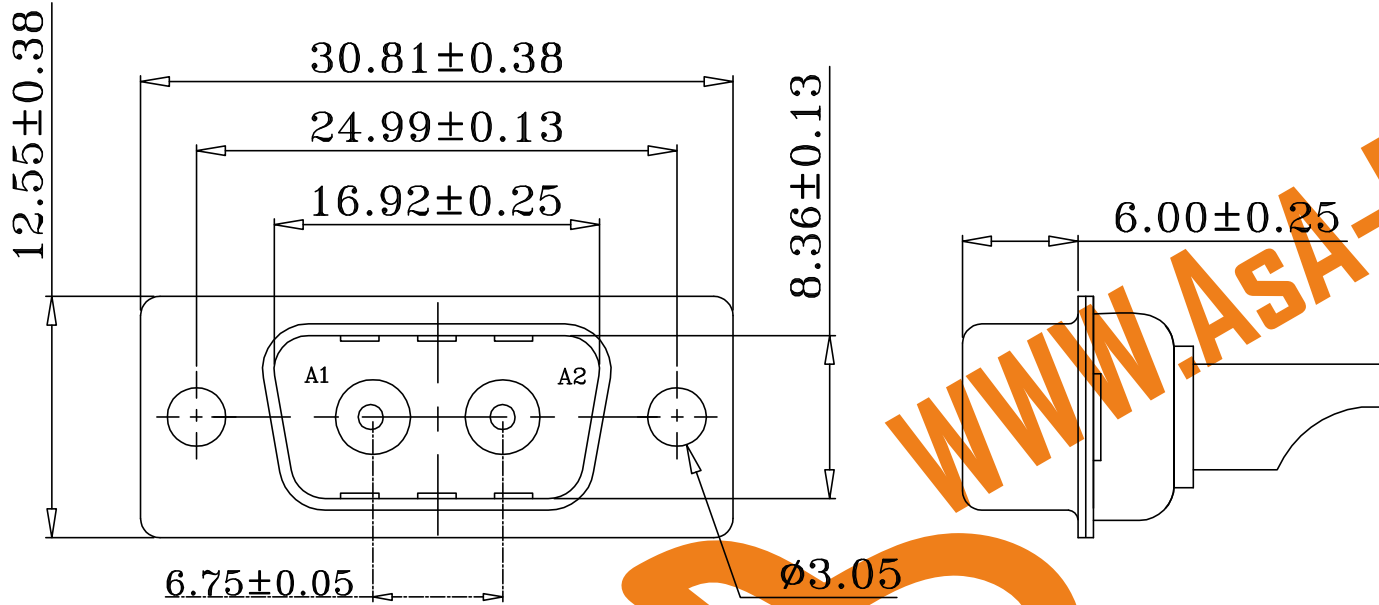


POWER D-SUB 2W2 SOLDER CUP-MALE

ROHS COMPLIANT

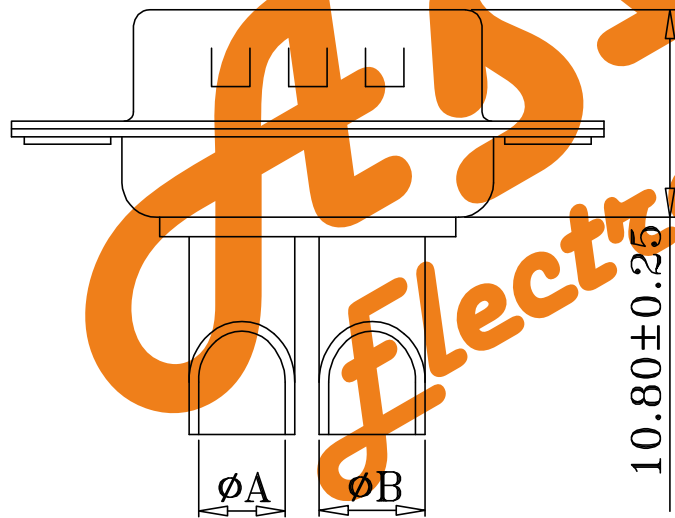


SPECIFICATIONS:
ELECTRICAL:
 INSULATOR RESISTANCE: 5,000 MegOHMS Min.
 DIELECTRIC WITHSTANDING: 1,000 VAC r.m. s.
 OPERATING TEMPERATURE: -55°C ~ +125°C
 CONTACT RESISTANCE: 30 MILLIOHMS Max.
 POWER PINS: SEE PART No. BELOW
MECHANICAL:
 CONTACT INSERTION FORCE: 4.5kg Max
 CONTACT SEPARATOR FORCE: 0.3kg Min
MATERIALS:
 CONTACTS: BRASS
 INSULATOR: PBT UL94V-0 RATED, 230°C PROCESS TEMP.
SHELL: STEEL
FINISH:
SHELL: NICKEL

Ordering Code:

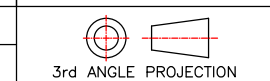
PDB2W2	-M	-G0	-B	-20	-00
①	②	③	④	⑤	⑥

- ① Series
- ② Contact Type:
M:Male F:Female
- ③ Contact NO. :
G0: Gold flash G1: 3u" Gold
G2: 5u" Gold G3: 10u" Gold
G4: 15u" Gold G5: 30u" Gold
- ④ Insulation Color Code:
B:Black L:Blue
W:White
- ⑤ Power AMP:
10 = 10AMPS; 20 = 20AMPS;
30 = 30AMPS; 40 = 40AMPS;
- ⑥ Series no



Unless Otherwise specified tolerance
 X.±0.35
 X.X:±0.25
 X.XX:±0.20
 X.XXX:±0.15

SCALE: 2:1 UNIT: mm
 DRAWN: junfon H
 CHECKED: YANG



ASA www.ASA-Elec.com
Electronic
AsA Electronic Co.
 Tel : (+98) 21 66 73 56 82 Mob : (+98) 912 03 161 02

TITLE:
POWER D-SUB 2W2 SOLDER CUP-MALE
 DRAWING NO: PDB2W2-MXXXXX00
 PRODUCT NO: PDB2W2-MXXXXX00

REV	Add option of plating			10-08-28
1	2	3	4	5
DESCRIPTION	DATE			